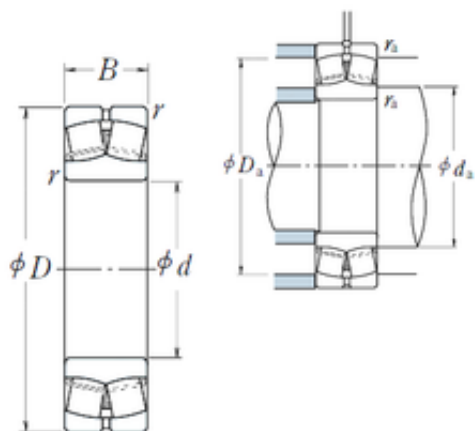




NTPT NTK BEARINGS CO.,LTD.



40 mm x 80 mm x 23 mm NSK 22208eae4 Bearing

Bearing No. 22208eae4

22208eae4 Bearing 2D drawings and 3D CAD models

Size	40x80x23 mm
Bore Diameter	40 mm
Outer Diameter	80 mm
Width	23 mm
d	40 mm
D	80 mm
B	23 mm
C	23 mm
r min.	1,1 mm
da min.	47 mm
da max	49 mm
Da min	70 mm
Da max.	73 mm
ra max.	1 mm
Weight	0,5 Kg
Basic dynamic load rating (C)	90,5 kN
Basic static load rating (C0)	99,5 kN
(Grease) Lubrication Speed	6000 r/min
(Oil) Lubrication Speed	7500 r/min
Calculation factor (e)	0,28
Calculation factor (Y0)	2,4
Calculation factor (Y2)	3,6
Category	Spherical Roller Bearings
Inventory	0.0
Manufacturer Name	NSK



NTPT NTK BEARINGS CO.,LTD.

Minimum Buy Quantity	N/A
Weight / Kilogram	0.52
EAN	0029176624278
Product Group	B04311
Internal Clearance	C0-Medium
Mounting Method	Shaft Mount
Rolling Element	Spherical Roller Bearing
Bore Profile	Straight
Cage Material	Steel
Enclosure	Open
Number of Rows of Rollers	Double Row
Relubricatable	Yes
Withdrawal Sleeve	Not Applicable
Inch - Metric	Metric
Long Description	40MM Straight Bore; 80MM Outside Diameter; 23MM Width; C0-Medium Clearance; Shaft Mount; Double Row of Spherical Roller Bearings; Steel Cage Material; Open Enclosure; Relubricatable
Category	Spherical Roller Bearing
UNSPSC	31171510
Harmonized Tariff Code	84823080
Noun	Bearing
Keyword String	Spherical
Manufacturer URL	http://www.nskamericas.com
Manufacturer Item Number	22208EAE4
Weight / LBS	0.52
Bore	1.575 Inch 40 Millimeter
Outside Diameter	3.15 Inch 80 Millimeter
Adapter Part Number	Not Applicable Inch Not Applicable Millimeter



NTPT NTK BEARINGS CO.,LTD.

Width	0.906 Inch 23 Millimeter
bore diameter:	40 mm
maximum rpm:	8500 RPM
outside diameter:	80 mm
operating temperature range:	Maximum of +200 ° C
overall width:	23 mm
cage material:	Steel
bore type:	Straight
bearing material:	Steel
outer ring type:	Not Split
cage type:	Inner Ring Guided
internal clearance:	C0
precision rating:	RBEC 1 (ISO Class Normal)
closure type:	Open
finish/coating:	Uncoated
lubrication hole type:	Lubrication Groove & Hole
outer ring width:	23 mm
dynamic load capacity:	113000 N
fillet radius:	1.1 mm
static load capacity:	99500 N
series:	222
Y3	2.4
hidYobi	22208EAE4
LangID	1
Y1	2.4
D_	80
Y2	3.6
Macha rpm	12000
B_	23
da min	47
hidTable	ecat_NSSPHR



NTPT NTK BEARINGS CO.,LTD.

Oil rpm	8500
Y0	2.4
mass	0.5
GRS rpm	6700
ra	1
TSR rpm	7100
C0	99.5
DE_	71.99
X0	1
Prod_Type3	SRB_CTB_CB
X1	1
X2	0.67
SIR	8.79
e	0.28
DA_	10.87
bomp	22208EAE4
Z_	16
ALP2	26
ALP1	10
ALP3	0
D_a max	73
D_a min	70
yobi	22208EAE4
HPS	HPS
ALPHA_	0.182
SDM_	61.299
r	1.1
KBRG	2328
SBRG	22
DI_	50.609