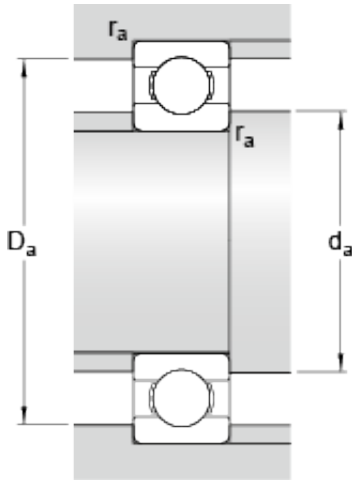




NTPT NTK BEARINGS CO.,LTD.



6209/HC5C3 SKF Hybrid Deep Groove Ball Bearings

Bearing No. 6209/HC5C3

d	45 mm
D	85 mm
B	19 mm
d ₁	57.6 mm
D ₁	72.4 mm
r _{1,2} min.	1.1 mm
d _a min.	52 mm
D _a max.	78 mm
r _a max.	1 mm
Basic dynamic load rating C	35.1 kN
Basic static load rating C ₀	21.6 kN
Fatigue load limit P _u	0.915 kN
Reference speed	22000 r/min
Limiting speed	13000 r/min
Calculation factor k _r	0.025
Calculation factor f ₀	14.2
Mass bearing	0.37 kg

6209/HC5C3 Bearing 2D drawings and 3D CAD models